



Designation: A395/A395M – 99 (Reapproved 2018)

# Standard Specification for Ferritic Ductile Iron Pressure-Retaining Castings for Use at Elevated Temperatures<sup>1</sup>

This standard is issued under the fixed designation A395/A395M; the number immediately following the designation indicates the year of original adoption or, in the case of revision, the year of last revision. A number in parentheses indicates the year of last reapproval. A superscript epsilon ( $\epsilon$ ) indicates an editorial change since the last revision or reapproval.

*This standard has been approved for use by agencies of the U.S. Department of Defense.*

## 1. Scope

1.1 This specification covers ductile iron castings for pressure-retaining parts for use at elevated temperatures. Castings of all grades are suitable for use up to 450 °F. For temperatures above 450 °F and up to 650 °F, only Grade 60-40-18 castings are suitable (**Note 1**).

1.2 Valves, flanges, pipe fittings, pumps, and other piping components are generally manufactured in advance and supplied from stock by the manufacturer, jobber, or dealer.

1.3 For supplemental casting requirements, Specification **A834** may be utilized.

1.4 The values stated in either SI units or inch-pound units are to be regarded separately as standard. The values stated in each system may not be exact equivalents; therefore, each system shall be used independently of the other. Combining values from the two systems may result in nonconformance with the standard.

NOTE 1—For service other than as specified in this section, reference should be made to Specification **A536** for Ductile Iron Castings.<sup>2</sup>

1.5 *This international standard was developed in accordance with internationally recognized principles on standardization established in the Decision on Principles for the Development of International Standards, Guides and Recommendations issued by the World Trade Organization Technical Barriers to Trade (TBT) Committee.*

## 2. Referenced Documents

### 2.1 ASTM Standards:<sup>2</sup>

**A247** Test Method for Evaluating the Microstructure of Graphite in Iron Castings

<sup>1</sup> This specification is under the jurisdiction of ASTM Committee **A04** on Iron Castings and is the direct responsibility of Subcommittee **A04.02** on Malleable and Ductile Iron Castings.

Current edition approved Nov. 1, 2018. Published November 2018. Originally approved in 1955. Last previous edition approved in 2014 as A395/A395M – 99 (2014). DOI: 10.1520/A0395\_A0395M-99R18.

<sup>2</sup> For referenced ASTM standards, visit the ASTM website, [www.astm.org](http://www.astm.org), or contact ASTM Customer Service at [service@astm.org](mailto:service@astm.org). For *Annual Book of ASTM Standards* volume information, refer to the standard's Document Summary page on the ASTM website.

**A370** Test Methods and Definitions for Mechanical Testing of Steel Products

**A536** Specification for Ductile Iron Castings

**A732/A732M** Specification for Castings, Investment, Carbon and Low Alloy Steel for General Application, and Cobalt Alloy for High Strength at Elevated Temperatures

**A834** Specification for Common Requirements for Iron Castings for General Industrial Use

**E8/E8M** Test Methods for Tension Testing of Metallic Materials

**E10** Test Method for Brinell Hardness of Metallic Materials

**E186** Reference Radiographs for Heavy-Walled (2 to 4½ in. (50.8 to 114 mm)) Steel Castings

**E280** Reference Radiographs for Heavy-Walled (4½ to 12 in. (114 to 305 mm)) Steel Castings

**E446** Reference Radiographs for Steel Castings Up to 2 in. (50.8 mm) in Thickness

**E689** Reference Radiographs for Ductile Iron Castings

**E1806** Practice for Sampling Steel and Iron for Determination of Chemical Composition

**F1476** Specification for Performance of Gasketed Mechanical Couplings for Use in Piping Applications

**F1548** Specification for Performance of Fittings for Use with Gasketed Mechanical Couplings Used in Piping Applications

2.2 *Manufacturers Standardization Society of the Valve and Fittings Industry Standard:*<sup>3</sup>

**SP 25** Standard Marking Systems for Valves, Flanges, Pipe Fittings, and Unions

## 3. Classification

3.1 Castings ordered to this specification are classified by grades based on mechanical property requirements, as listed in **Table 1**. See note following **Table 1**.

## 4. Ordering Information

4.1 Orders for material under this specification shall include the following applicable information:

<sup>3</sup> Available from Manufacturers Standardization Society of the Valve and Fittings Industry (MSS), 127 Park St., NE, Vienna, VA 22180-4602, <http://www.mss-hq.org>.

**TABLE 1 Mechanical Property Requirements**

Property	Grade 60-40-18	Grade 65-45-15
Tensile Strength Minimum, psi [MPa]	60 000 [415]	65 000 [450]
Yield Strength Minimum, psi [MPa]	40 000 [275]	45 000 [310]
Elongation in 2 in. Minimum, %	18	15
Hardness HB, 3000 kgf Load	143–187	156–201

NOTE 2—Silicon contents above 2.75 % or phosphorus contents above 0.08 % have a tendency to lower the impact resistance of the material. If the carbon content is below 3.00 %, excess cementite may form during cooling and, if this is not removed during heat treatment, the impact resistance of the material may be lowered.

## 7. Requirements

### 7.1 Tensile Properties:

7.1.1 The ductile iron as represented by the test specimens shall conform to the mechanical property requirements in **Table 1**.

### 7.2 Hardness:

7.2.1 For Grade 60-40-18, the hardness of the castings and test specimens shall be within the limits in **Table 1**.

7.2.2 For Grade 65-45-15, the hardness of test specimen and the critical area(s) of the casting, as identified on the casting drawing, shall be within the limits in **Table 1**. If the Grade 65-45-15 casting drawing does not have critical area(s) of the casting identified, all areas of the casting shall be within the hardness limits in **Table 1**.

### 7.3 Microstructure:

7.3.1 For Grade 60-40-18, the microstructure of the separately cast test coupon or the casting shall be essentially ferritic and contain no massive carbides, and have a minimum of 90 % Type I and Type II Graphite as in **Fig. 1** or Plate I of Test Method **A247**.

7.3.2 For Grade 65-45-15, the microstructure of the critical areas of the casting, as identified on the casting drawing, shall be 45 % pearlitic, maximum, contain no massive carbides, and have a minimum 90 % Type I and Type II Graphite as in **Fig. 1** or Plate I of Test Method **A247**.

### 7.4 Pressure Test Requirements:

7.4.1 Each pressure-retaining Grade 60-40-18 casting shall be tested after machining to the test pressure specified by the applicable standard of ANSI, ASME Boiler and Pressure Vessel Code, or other pertinent code, and shall show no leaks.

7.4.2 Castings Grade 65-45-15 manufactured under this specification shall be capable of passing hydrostatic test(s) compatible with the rating of the finished cast component. Such tests shall be conducted by the casting manufacturer only when Supplementary Requirement S2 is specified.

7.4.3 Castings Grade 60-40-18, ordered under this specification not covered by ANSI standards and ASME Pressure Vessel Code, and castings for special service applications, shall be tested to such pressures as may be agreed upon by the manufacturer and the purchaser.

7.4.4 For castings Grade 60-40-18, it is realized that the foundry may be unable to perform the hydrostatic test prior to shipment, or that the purchaser may wish to defer testing until additional work or machining has been performed on the casting. Castings ordered in the rough state for final machining by the purchaser may be tested hydrostatically prior to shipment by the manufacturer at pressures to be agreed upon with the purchaser. However, the foundry is responsible for the satisfactory performance of the castings under the final hydrostatic test.

- 4.1.1 Drawing, catalog number, or part identifications,
  - 4.1.1.1 For Grade 65-45-15, drawing indicating critical area(s) of casting (see **7.2.2** and **7.3.2**).
- 4.1.2 Quantity (weight or number of pieces),
- 4.1.3 ASTM designation and year of issue,
- 4.1.4 Grade (See **Table 1**); if a grade is not specified, the manufacturer shall supply Grade 60-40-18.
- 4.1.5 Heat-treating requirements (see **5.2.1**),
- 4.1.6 Pressure test requirements (see **7.4.3**),
- 4.1.7 Test samples from castings (see **11.1.1** and **12.1.1**),
- 4.1.8 Test coupons size (see **11.2**),
- 4.1.9 Metallographic option (see **12.1.1**),
- 4.1.10 Place of inspection (see **16.1**),
- 4.1.11 Certification requirements (see **17.1**),
- 4.1.12 Identification marking (see **18.2**), and
- 4.1.13 Supplementary requirements (see **1.4**, **7.4.2**, S1, and S2).

## 5. Materials and Manufacture

5.1 The melting method and the nodularizing practice shall be optional with the foundry.

5.2 Except as provided in **5.2.1**, all castings Grade 60-40-18 shall be given a ferritizing heat treatment that produces essentially a ferritic structure that contains no massive carbides.

5.2.1 When specified in the purchase order, Grade 60-40-18 castings may be provided in an as-cast condition provided they comply with the requirements of **7.1** and **7.2.1**.

5.2.2 Castings supplied in accordance with **5.2.1** may be stress relieved by agreement between the manufacturer and purchaser.

5.3 Castings Grade 65-45-15 may be provided in as-cast condition or heat treated, provided they comply with the requirements of **7.1**, **7.2.2**, and **7.3.2**.

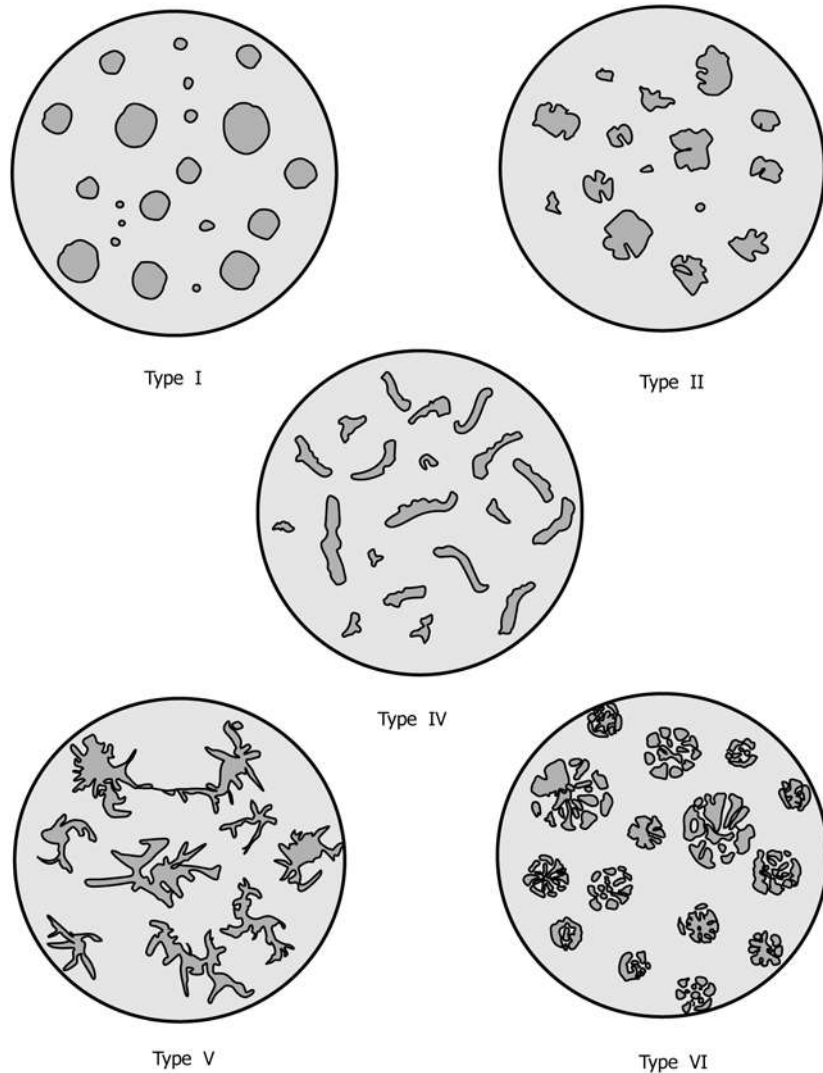
## 6. Chemical Requirements

6.1 The casting shall conform to the following requirements for chemical composition (**Note 2**):

Total carbon, min, %	3.00
Silicon, max, %	2.50
Phosphorus, max, %	0.08

6.1.1 The chemical analysis for total carbon shall be made on chilled cast pencil-type specimens or from thin wafers approximately 1/32 in. [0.8 mm] thick cut from test coupons. Drillings are not reliable because of the probable loss of graphite.

6.1.2 For each reduction of 0.01 % below the maximum specified phosphorus content, an increase of 0.08 % silicon above the specified maximum will be permitted up to a maximum of 2.75 %.



NOTE 1—Graphite types are identical with Plate 1 of Test Method A247 and are so identified.

**FIG. 1 Suggested Classification of Graphite Form in Ductile Cast Iron**

## 8. Workmanship and Finish

8.1 The surface of the casting shall be examined visually and shall be free from adhering sand, scale, cracks, and hot tears. Any other surface discontinuities shall meet visual acceptance standards specified in the order.

## 9. Repair

9.1 Castings for valves, flanges, pipe fittings, pumps, and other piping components ordered under applicable ANSI standards shall not be repaired by plugging, welding, brazing, or impregnation.

9.2 Castings Grade 60-40-18 not covered in 9.1 which leak on hydrostatic tests may be repaired by plugging, provided the following requirements are met:

9.2.1 No welding or brazing is permitted.

9.2.2 The diameter of the plug shall not exceed the diameter of a standard 2-in. [ISO R2] pipe plug.

9.2.3 The plugs, where practical, shall conform in all dimensions to the standard ISO  $\frac{3}{8}$  plugs. In addition, they shall have full thread engagement corresponding to the thickness in the repaired section. Where a tapered plug is impractical because of the excess wall thickness in terms of plug diameter and coincident thread engagement, other types of plugs may be used provided both full engagement and effective sealing against pressure are obtained. Where possible, the ends of the plug should be ground smooth after installation to conform to the inside and outside contours of the wall of the pressure vessel or pressure part.

9.2.4 The material from which the plug is manufactured shall conform in all respects to the materials specifications that apply to the pressure vessel or pressure part.

9.2.5 The area adjacent to the drilled hole shall be examined by radiography, and shall meet the Level 3 acceptance requirements of Reference Radiographs E689 and supporting Reference Radiographs E446, E186, or E280 as applicable and defined in accordance with Reference Radiographs E689.

9.2.6 The thickness of any repaired section in relation to the size of the plug used shall not be less than that given in Table 2.

9.2.7 The minimum radius of repaired sections of cylinders or cones in relation to the size of plug used shall not be less than that given in Table 3.

9.2.8 A repaired area may consist of a maximum of three plugs with a spacing such that the ligaments between adjacent plugs shall not be less than listed in Table 4. Other defective areas may also be repaired by plugging, provided the minimum ligament between plugs in adjacent areas is not less than twice the distance from the nearest plug, the values for which are listed in Table 4.

9.3 Surface imperfections in castings Grade 60-40-18 other than valves, flanges, pipe fittings, pumps, and other piping components may be repaired by plugging, provided the depth of the plug is not greater than 20 % of the thickness of the casting section and the diameter of the plug is not greater than its length. Repair of surface defects may not be done on pressure-containing portions of castings. The plug need not be threaded. The conditions of 9.2.1 and 9.2.4 shall also be satisfied.

10. Sampling

10.1 A lot shall consist of one of the following:

10.1.1 All the metal from a single heating in a batch-type melting furnace.

10.1.2 All the metal poured from two or more batch-type melting furnaces into a single ladle or a single casting.

10.1.3 All the metal poured from a continuous melting furnace for a given period of time between changes in charge, processing conditions, or aim-for chemistry, or 8 h, whichever is the shorter period.

11. Test Coupon

11.1 The separately cast test coupons poured from the same lot as the castings they represent from which the tension test specimen is machined shall be cast to the size and shape shown

TABLE 2 Minimum Thickness of Repaired Sections

Iron Pipe Size Plug, in.	Minimum Thickness Repaired Section, in. [mm]
1/8	1 1/32 [8]
1/4	7/16 [10]
3/8	1/2 [13]
1/2	2 1/32 [17]
3/4	3/4 [19]
1	13/16 [21]
1 1/4	7/8 [23]
1 1/2	15/16 [24]
2	1 [26]

TABLE 3 Minimum Radius of Repaired Sections

Iron Pipe Size Plug, in.	Minimum Radius of Cylinder or Cone, in. [mm]
1/8	9/16 [15]
1/4	1 1/16 [18]
3/8	1 1/16 [28]
1/2	1 1/4 [32]
3/4	2 [52]
1	2 1/2 [64]
1 1/4	4 [104]
1 1/2	5 1/4 [136]
2	8 1/8 [208]

TABLE 4 Minimum Ligament Between Plugs A,B

Nominal Plug Diameter, in.	Minimum Ligament Between Plugs, in. [mm]			
1/8, 1/4, 3/8	2 5/8 [67]	4 1/8 [105]	6 5/8 [169]	9 1/2 [242]
1/2, 3/4	4 1/8 [105]	4 1/8 [105]	6 5/8 [169]	9 1/2 [242]
1, 1 1/4	6 5/8 [169]	6 5/8 [169]	6 5/8 [169]	9 1/2 [242]
1 1/2, 2	9 1/2 [242]	9 1/2 [242]	9 1/2 [242]	9 1/2 [242]

A Based on efficiency of 80 %.

B Example: Assume three plugs are required for repair, one 1/8 in., one 3/8 in., and one 1 1/2 in. The minimum distance permitted is as follows:

Ligament distance between 1/8 and 3/8-in. plugs is 2 5/8 in. [67 mm].

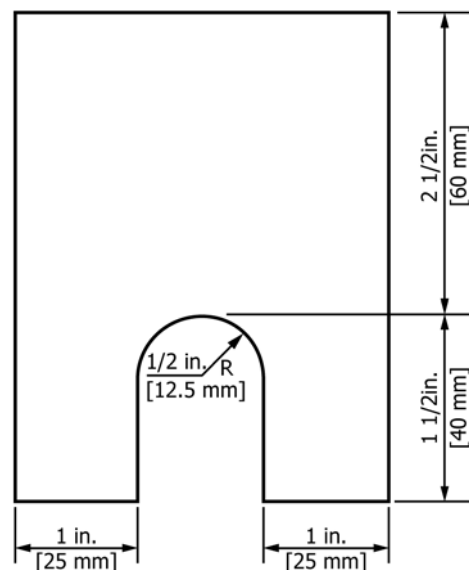
Ligament distance between 1/8 and 1 1/2-in. plugs is 9 1/2 in. [242 mm].

Ligament distance between 3/8 and 1 1/2-in. plugs is 9 1/2 in. [242 mm].

in Fig. 2, Fig. 3, or Fig. 4. Cast coupons shall be identified with the castings they represent. Sectioning procedure for removing test specimens from Y-blocks is shown in Fig. 5.

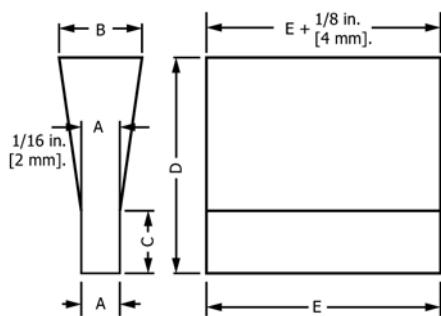
11.1.1 Test samples may be removed from castings at locations designated on a drawing or as agreed to by manufacturer and purchaser.

11.1.2 Test bars removed from castings shall conform to Fig. 6. The testing diameter shall be 1/2 in. [12.5 mm] if possible. Smaller diameters shall be utilized if necessary.



NOTE 1—The length of the keel block shall be 6 in. [152 mm].

FIG. 2 Keel Block for Test Coupons



"Y" Block Size			
Dimensions	For Castings of Thickness Less Than ½ in. [13 mm]	For Castings of Thickness ½ in. [13 mm] to 1½ in. [38 mm]	For Castings of Thickness of 1½ in. [38 mm] and Over
	in. [mm]	in. [mm]	in. [mm]
A	½ [13]	1 [25]	3 [75]
B	1⅝ [40]	2⅝ [55]	5 [125]
C	2 [50]	3 [75]	4 [100]
D	4 [100]	6 [150]	8 [200]
E	7 [175] approx	7 [175] approx	7 [175] approx

FIG. 3 Y-Blocks for Test Coupons

11.2 The test coupon size shall be as mutually agreed upon between the manufacturer and purchaser. In the absence of agreement, it shall be the option of the manufacturer.

11.3 The test coupons shall be cast in molds made of suitable core sand having a minimum wall thickness of 1½ in. [38 mm] for the ½ in. [12.5 mm], 1 in. [25 mm] sizes, and 3 in. [75 mm] for the 3 in. [75 mm] size. The coupons shall be left in the mold until they have changed to a black color (approximately 900 °F [480 °C] or less). The keel block as shown in Fig. 2 or the modified keel block produced from the mold shown in Fig. 4 may be substituted for the 1-in. [25-mm] block shown in Fig. 3.

11.4 When investment castings are made to this specification, the manufacturer may use test specimens cast to size incorporated in the mold with the castings or separately cast to size using the same type of mold and the same thermal conditions that are used to produce the castings. These test specimens shall be made to the dimensions shown in Fig. 1 of Specification A732/A732M or Fig. 5 and Fig. 6 of Test Methods and Definitions A370.

11.5 The manufacturer shall cast a sufficient number of test coupons to provide for each ferritizing anneal. The test coupons shall be heat treated with the castings they represent. Sectioning of the test coupons prior to heat treating is not permitted.

11.6 The metallographic examination shall be made on a test lug from the test coupon shown in Fig. 7 or from a casting, or from a representative test coupon poured with the casting(s). The test coupon shall represent the metal treated with the nodularizing agent.

## 12. Number of Tests and Retests

12.1 One tension test shall be made from sections cut from the test coupons (Fig. 5) required by Section 11.

12.1.1 Unless otherwise stated in the contract or order for castings, a metallographic examination may be substituted for the tension test when separately cast test coupons are used. When the microstructure option is used, a minimum of one tension test is required from each day's melt and for each heat treatment (see 12.2).

12.2 If any tension test specimen shows obvious defects, another from the same coupon, or from another coupon/or representing the same metal and the same anneal charge, may be tested. If an apparently sound test specimen fails to conform to this specification, castings may be re-annealed, if required, and two retests made. If either retest fails to conform to this specification, the castings they represent shall be rejected.

## 13. Tension Test Specimen Preparation

13.1 The standard machined ½ in. [12.5 mm] round tension test specimen with 2 in. [50 mm] gauge length as shown in Fig. 6 shall be used except where the ½ in. [12.5 mm] Y-block test coupon is required. In this case, either of the small-size specimens, 0.375 or 0.250 in. [9 or 6.5 mm] round as shown in Fig. 6, shall be used.

## 14. Test Methods

14.1 Chemical analysis shall be made in accordance with Practice E1806.

14.2 The yield strength shall be determined in accordance with Test Methods E8/E8M using one of the following methods:

14.2.1 The 0.2 % offset method, or

14.2.2 Extension-under-load method where the yield strength may be determined as the stress producing an elongation under load of 0.375 %; that is, 0.0075 in. [0.19 mm] in a gauge length of 2 in. [50 mm].

14.3 The hardness of the ductile iron as represented by the test specimens and castings shall be determined in accordance with Test Method E10.

14.4 The percentage of each graphite type shall be determined by manual counting, semi-automatic, or automatic image analysis methods. The sum of all graphite types shall total to 100 %.

## 15. Records

15.1 Records of the chemical composition, mechanical properties, and metallographic examination, when applicable, shall be systematically made and maintained.

## 16. Inspection

16.1 Unless otherwise specified in the contract or purchase order, the manufacturer shall be responsible for carrying out all the tests and inspection required by this specification.

16.2 The inspector representing the purchaser shall have entry at all times, while work on the contract of the purchaser is being performed, to all parts of the manufacturer's works which concern the manufacturer of the material ordered. The manufacturer shall afford the inspector all reasonable facilities to satisfy him that the material is being furnished in accordance

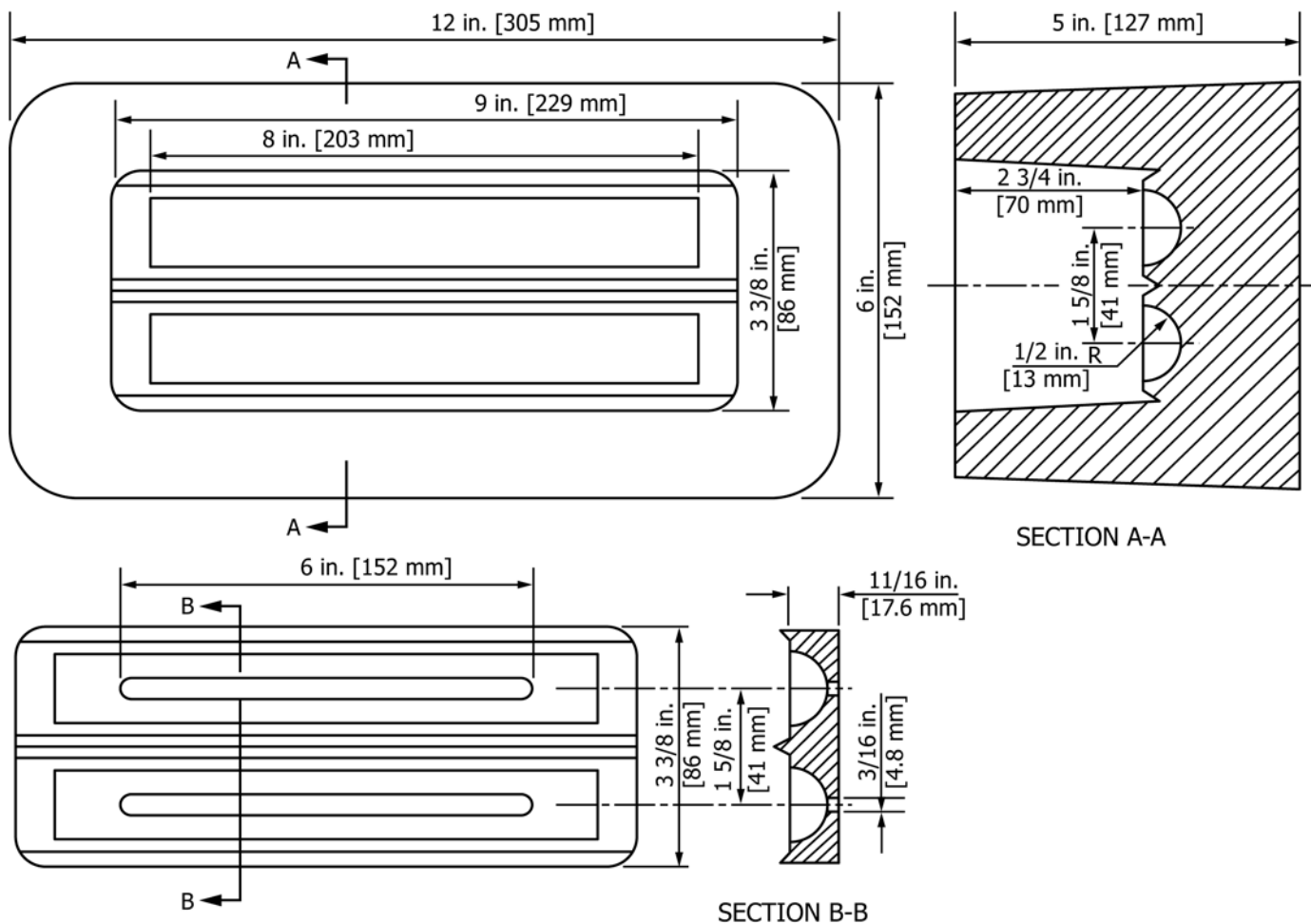


FIG. 4 Mold for Modified Keel Block

with these specifications. Unless otherwise specified, all tests and inspection shall be made at the place of manufacture or by an approved independent laboratory prior to shipment, and shall be so conducted as not to interfere unnecessarily with the operation of the works.

### 17. Certification

17.1 When agreed upon in writing by the purchaser and the supplier, a certification shall be made on the basis of acceptance of the material. This shall consist of a copy of the manufacturer's test report or a statement by the supplier accompanied by a copy of the test results that the material has been sampled, tested, and inspected in accordance with the provisions of this specification. Each certification so furnished shall be signed by an authorized agent of the supplier or manufacturer.

### 18. Product Marking

18.1 Castings for valves, flanges, pipe fittings, and unions shall be marked for material identification in accordance with

the Standard Marking System for Valves, Flanges, Pipe Fittings, and Unions, SP-25. Castings for gasketed mechanical couplings and fittings may be marked in accordance with Specification F1476 or F1548, respectively.

18.2 Castings, other than valves, flanges, pipe fittings, and unions, shall be identified subject to agreement by the manufacturer and the purchaser.

18.3 Marking shall be in such a position as not to injure the usefulness of the castings.

### 19. Keywords

19.1 casting; ductile iron; mechanical properties; pressure-retaining; pressure test; tensile strength; tension testing; yield strength

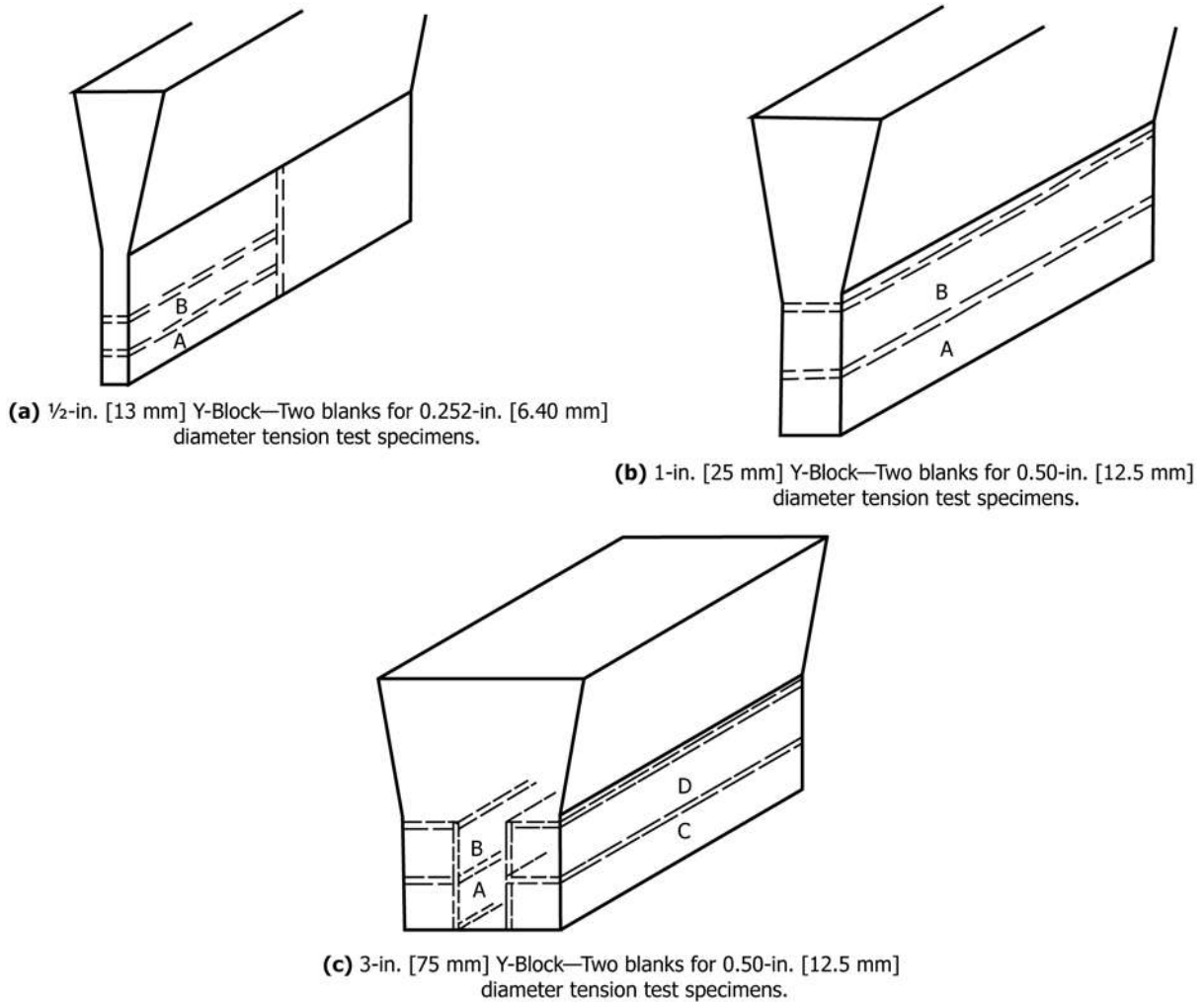
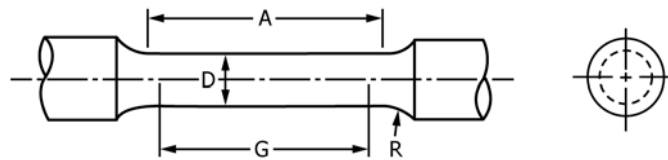


FIG. 5 Sectioning Procedure for Y-Blocks



Dimensions	Standard Specimen, in. [mm]	Small-Size Specimens Proportionate to Standard, in. [mm]	
G – Gauge length	$\frac{1}{2}$ [12.5] Round $2.000 \pm 0.005$ [50 $\pm$ 0.13]	0.350 [9] Round $1.4 \pm 0.005$ [35 $\pm$ 0.13]	0.250 [6.5] Round $1.0 \pm 0.005$ [25 $\pm$ 0.13]
D – Diameter (Note 1)	$0.500 \pm 0.010$ [12.5 $\pm$ 0.25]	$0.350 \pm 0.007$ [9 $\pm$ 0.18]	$0.250 \pm 0.005$ [6.5 $\pm$ 0.13]
R – Radius of fillet	$\frac{3}{8}$ [9.5], min	$\frac{3}{8}$ [9.5], min	$\frac{1}{4}$ [6.5], min
A – Length of reduced section (Note 2)	$2\frac{1}{4}$ [58], min	$1\frac{3}{4}$ [45], min	$1\frac{1}{4}$ [32], min

NOTE 1—The reduced section may have a gradual taper from the ends toward the center, with the ends not more than 0.005 in. [0.13 mm] larger in diameter than the center on the standard specimen, and not more than 0.003 in. [0.076 mm] larger in diameter than the center on the small-size specimens.

NOTE 2—If desired, on the small-size specimens, the length of the reduced section may be increased to accommodate an extensometer. However, reference marks for measurement of elongation should nevertheless be spaced at the indicated gauge length.

NOTE 3—The gauge length and fillets shall be as shown, but the ends may be of any form to fit the holders of the testing machine in such a way that the load shall be axial. If the ends are to be held in grips, it is desirable to make the length of the grip section great enough to allow the specimen to extend into the grips a distance equal to two-thirds or more of the length of the grips.

FIG. 6 Standard  $\frac{1}{2}$ -in. [12.5-mm] Round Tension Test Specimen with 2-in. [50.0-mm] Gauge Length and Examples of Small-Size Specimens Proportional to the Standard Specimen

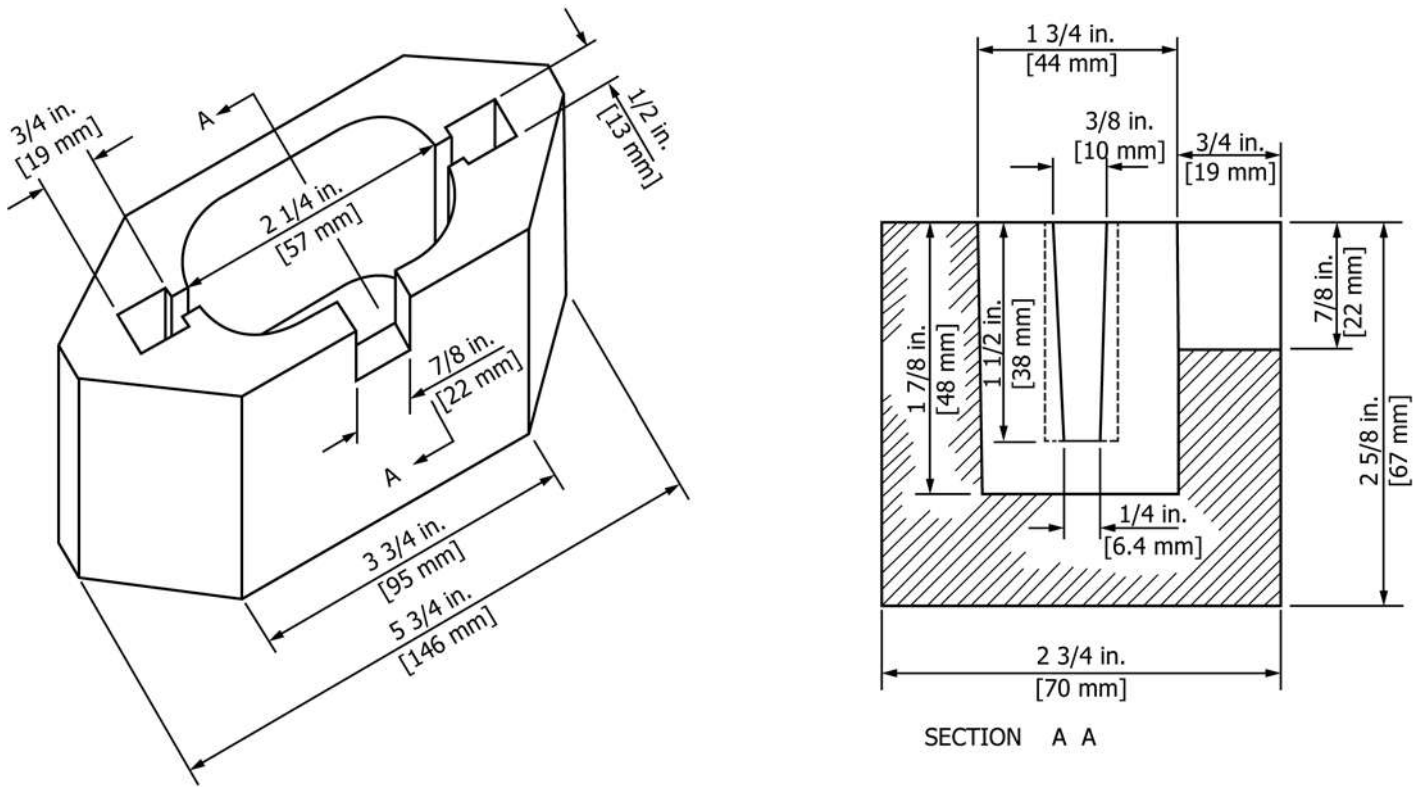


FIG. 7 Test Coupon for Microscopical Examination of Ductile Iron

### SUPPLEMENTARY REQUIREMENTS

The following supplementary requirements shall not apply unless specified in the purchase order.

S1. For castings Grade 60-40-18, a microstructure test lug is to be cast attached to the casting at the location designated on the casting drawing. The microstructure of the test lug shall be essentially ferritic and contain no massive carbides.

S2. Pressure Test, Casting Grade 65-45-15.

S2.1 A hydrostatic test at a pressure agreed upon by the manufacturer and the purchaser shall be applied by the manufacturer.

*ASTM International takes no position respecting the validity of any patent rights asserted in connection with any item mentioned in this standard. Users of this standard are expressly advised that determination of the validity of any such patent rights, and the risk of infringement of such rights, are entirely their own responsibility.*

*This standard is subject to revision at any time by the responsible technical committee and must be reviewed every five years and if not revised, either reapproved or withdrawn. Your comments are invited either for revision of this standard or for additional standards and should be addressed to ASTM International Headquarters. Your comments will receive careful consideration at a meeting of the responsible technical committee, which you may attend. If you feel that your comments have not received a fair hearing you should make your views known to the ASTM Committee on Standards, at the address shown below.*

*This standard is copyrighted by ASTM International, 100 Barr Harbor Drive, PO Box C700, West Conshohocken, PA 19428-2959, United States. Individual reprints (single or multiple copies) of this standard may be obtained by contacting ASTM at the above address or at 610-832-9585 (phone), 610-832-9555 (fax), or service@astm.org (e-mail); or through the ASTM website (www.astm.org). Permission rights to photocopy the standard may also be secured from the Copyright Clearance Center, 222 Rosewood Drive, Danvers, MA 01923, Tel: (978) 646-2600; http://www.copyright.com/*